

Bellows-sealed Valves

SW Series

Bellows-sealed
Valves



Bellows-sealed Valves

SW Series

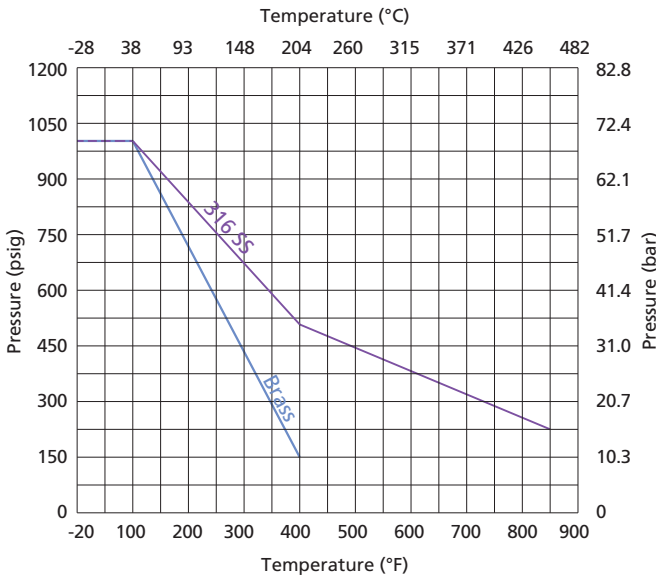
Features

- ⦿ Working pressure up to: 1000 psig (69.0 bar)
- ⦿ Working temperature: -20°F to 842°F (-28°C to 450°C)
- ⦿ Variety of end connections
- ⦿ Body material: 316 SS, brass
- ⦿ Hydraulic-formed multilayer bellows for longer cycle life
- ⦿ Nonrotating stem tip eliminates galling within the seat area
- ⦿ Externally pressurized bellows design for maximum strength
- ⦿ Strictly controlled bellows stroke to improve safety and cycle life
- ⦿ Replaceable bellows and stem tip assembly
- ⦿ Regulating, conical and spherical stem tips available
- ⦿ Handle color options are available
- ⦿ Panel and bottom mounting available
- ⦿ Every FITOK bellows-sealed valve leak tested with helium at the seat, envelope and all seals (maximum allowable leak rate: 4×10^{-9} std cm³/s)



Bellows-sealed Valves

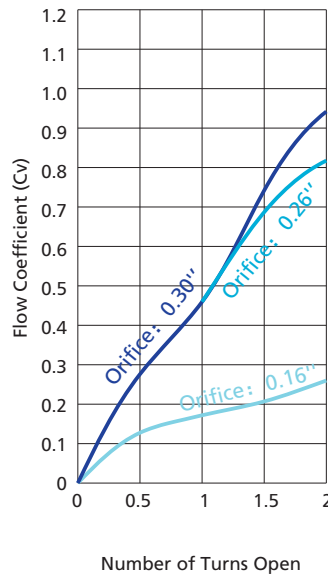
Pressure vs. Temperature



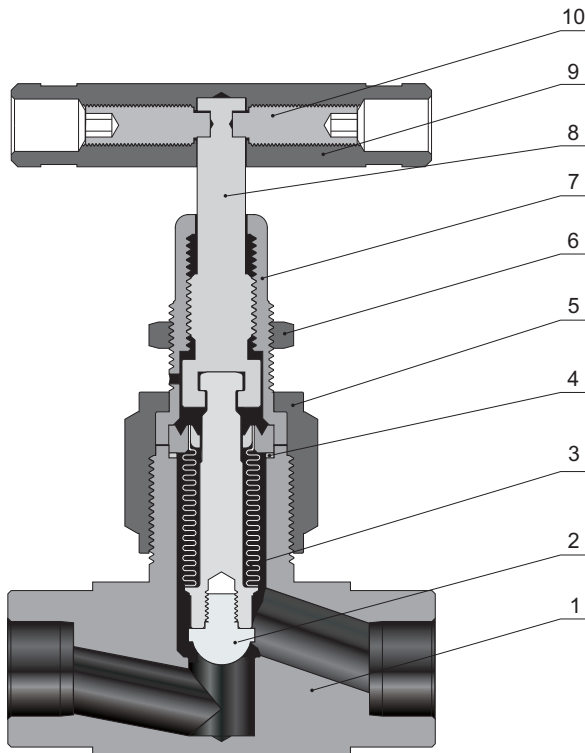
200°F (93°C) max. with PCTFE stem tip (soft tip).

Flow Coefficient vs. Turns Open

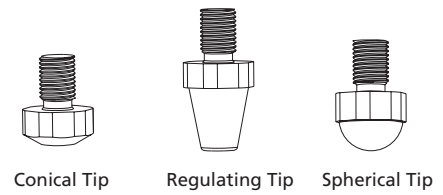
Regulating Stem



Standard Materials of Construction



Tip Types

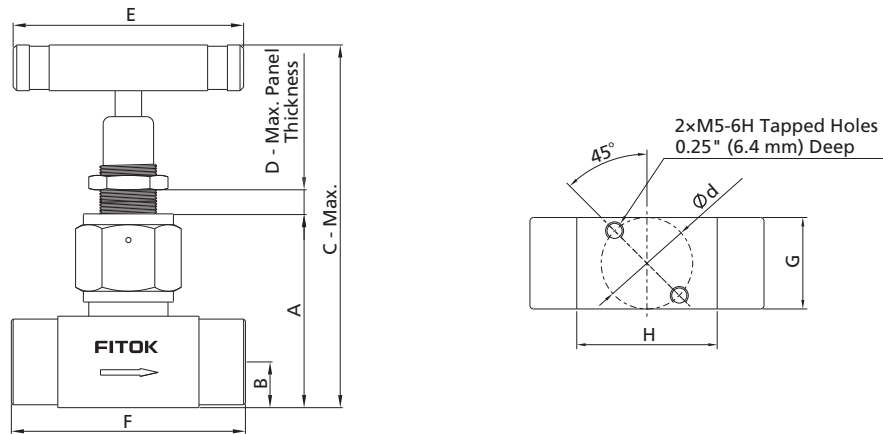


Bellows-sealed Valves

Component		Valve Body Material Grade/ASTM Specification	
		316 SS	Brass
1	Body	316 SS/A182	Brass/B283
2	Stem Tip	Regulating	316 SS/A479 or Stellite
		Conical	PCTFE/D1430 or 316 SS/A479 or Stellite
		Spherical	Stellite
3	Bellows	316L SS/A240	
	Stem	316 SS/A479	
	Weld Ring	316 SS/A479	
4	Gasket	Silver-plated 316 SS/A269	
5	Bonnet Nut	316 SS/A479	Brass/B16
6	Panel Mount Nut	Stainless steel	Brass/B16
7	Bonnet	316 SS/A479	Brass/B16
8	Actuator	316 SS/A479	316 SS/A479
9	Handle	6061/B211 or stainless steel	
10	Set Screws	Galvanized carbon steel	
Non-wetted Lubricant		Molybdenum disulfide	

Contact FITOK Group or our authorized distributors for valves of other materials.

Dimensions



Basic Ordering Number	Connection Type and Size		Orifice in. (mm)	Cv	Dimensions, in. (mm)								
	Inlet	Outlet			A	B	C	D	E	F	G	H	Ød
SW□□-FL4-2-	1/4" FITOK	1/4" FITOK	0.16 (4.1)	0.36	2.16 (54.8)	0.54 (13.7)	4.05 (102.8)	0.39 (10.0)	2.50 (63.5)	2.46 (62.5)	1.00 (25.4)	1.06 (26.9)	1.00 (25.4)
SW□□-FL6-3-	3/8" FITOK	3/8" FITOK	0.26 (6.6)	0.85	2.20 (55.8)	0.54 (13.7)	4.09 (103.8)	0.39 (10.0)	2.50 (63.5)	3.09 (78.5)	1.10 (25.4)	1.57 (39.9)	1.00 (25.4)
SW□□-FL8-5-	1/2" FITOK	1/2" FITOK	0.30 (7.6)	1.20	2.16 (54.8)	0.54 (13.7)	4.05 (102.8)	0.39 (10.0)	2.50 (63.5)	3.30 (83.8)	1.13 (25.4)	1.57 (40.0)	1.00 (25.4)
SW□□-ML6-2-	6 mm FITOK	6 mm FITOK	0.16 (4.1)	0.36	2.16 (54.8)	0.54 (13.7)	4.05 (102.8)	0.39 (10.0)	2.50 (63.5)	2.46 (62.5)	1.00 (25.4)	1.07 (27.1)	1.00 (25.4)
SW□□-ML10-4-	10 mm FITOK	10 mm FITOK	0.28 (7.1)	1.00	2.20 (55.8)	0.54 (13.7)	4.09 (103.8)	0.39 (10.0)	2.50 (63.5)	3.11 (79.0)	1.00 (25.4)	1.57 (39.8)	1.00 (25.4)
SW□□-ML12-5-	12 mm FITOK	12 mm FITOK	0.30 (7.6)	1.20	2.20 (55.8)	0.54 (13.7)	4.09 (103.8)	0.39 (10.0)	2.50 (63.5)	3.30 (83.8)	1.00 (25.4)	1.57 (39.8)	1.00 (25.4)
SW□□-TS4-2-	1/4" TS	1/4" TS	0.16 (4.1)	0.36	2.20 (55.8)	0.54 (13.7)	4.09 (103.8)	0.39 (10.0)	2.50 (63.5)	1.68 (42.7)	1.00 (25.4)	1.00 (25.4)	1.00 (25.4)
SW□□-TS6-4-	3/8" TS	3/8" TS	0.28 (7.1)	1.00	2.20 (55.8)	0.54 (13.7)	4.09 (103.8)	0.39 (10.0)	2.50 (63.5)	2.27 (57.7)	1.00 (25.4)	1.51 (38.4)	1.00 (25.4)
SW□□-TS8-5-	1/2" TS	1/2" TS	0.30 (7.6)	1.20	2.20 (55.8)	0.54 (13.7)	4.09 (103.8)	0.39 (10.0)	2.50 (63.5)	2.27 (57.7)	1.00 (25.4)	1.25 (31.7)	1.00 (25.4)
SW□□-TB8-4-	1/2" TB	1/2" TB	0.28 (7.1)	1.00	2.20 (55.8)	0.54 (13.7)	4.09 (103.8)	0.39 (10.0)	2.50 (63.5)	2.27 (57.7)	1.00 (25.4)	1.51 (38.4)	1.00 (25.4)
SW□□-FFR4-2-	1/4" Female FR	1/4" Female FR	0.16 (4.1)	0.36	2.16 (54.8)	0.54 (13.7)	4.05 (102.8)	0.39 (10.0)	2.50 (63.5)	2.76 (70.1)	1.00 (25.4)	1.02 (25.8)	1.00 (25.4)
SW□□-FFR8-5-	1/2" Female FR	1/2" Female FR	0.30 (7.6)	1.20	2.20 (55.8)	0.54 (13.7)	4.09 (103.8)	0.39 (10.0)	2.50 (63.5)	3.12 (79.2)	1.00 (25.4)	1.25 (31.75)	1.00 (25.4)
SW□□-FR4-2-	1/4" Male FR	1/4" Male FR	0.16 (4.1)	0.36	2.16 (54.8)	0.54 (13.7)	4.05 (102.8)	0.39 (10.0)	2.50 (63.5)	2.24 (56.9)	1.00 (25.4)	1.00 (25.4)	1.00 (25.4)
SW□□-FR8-5-	1/2" Male FR	1/2" Male FR	0.30 (7.6)	1.20	2.20 (55.8)	0.54 (13.7)	4.09 (103.8)	0.39 (10.0)	2.50 (63.5)	3.00 (76.2)	1.13 (28.7)	1.50 (38.1)	1.00 (25.4)

1. FITOK means FITOK double ferrule tube fittings, FR means metal gasket seal fittings, TS means fractional tube socket weld, TB means fractional tube butt weld.
2. Dimensions are shown with FITOK nuts finger-tightened. All dimensions are for reference only and are subject to change. For dimensions not shown above, please contact FITOK Group or our authorized distributors.
3. Sizes and types listed are standard. Other sizes and types are available upon request. For special sizes and types, please contact FITOK Group or our authorized distributors.

Pneumatic Actuators



Features

- ⦿ Low actuation pressure
- ⦿ Opens and closes quickly and reliably
- ⦿ Rotatable port for normally closed actuators allows easy installation
- ⦿ Normally open actuators black capped for identification

Actuation Modes

- ⦿ Normally closed—air opens, spring closes
- ⦿ Normally open—air closes, spring opens

Technical Data

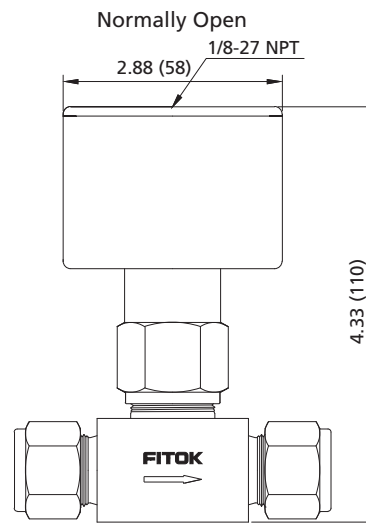
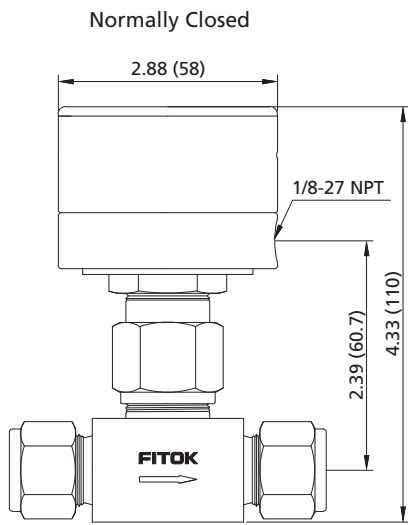
Actuator Type	Actuator Pressure Rating psig (bar)	Valve and Actuator Working Temperature °F (°C)	Valve Working Pressure psig (bar)
Normally Closed	65.3~79.8 (4.5~5.5)	-20~200 (-28~93)	10.0 (145)
Normally Open	72.5~87.0 (5.0~6.0)		34.4(500)

Materials of Construction

Component	Material
Housing	Anodized Aluminium
Stem Tip	PCTFE

For valve components, refer to "Standard Materials of Construction" on page B-116.

Dimensions



Basic Ordering Number	CV
SW□□-□□-2-KN-LC/LO	0.36
SW□□-□□-3-KN-LC/LO	0.85
SW□□-□□-5-KN-LC/LO	1.0

LC designates normally closed models; LO designates normally open models.

Ordering Number Description

SWSS – FL8 – ML10 – 5 – WR – B – BW – SF2

Series	Body Material	Inlet Type	Inlet Size	Outlet Type	Outlet Size	Orifice Size	Stem Tip Material and Type	Actuator	Body-to-Bellows Seal	Special Application	Cleaning and Packaging	
SW	SS	TS	2 1/8"	Same as Inlet	2 0.16" (4.1 mm)	2	Stellite Spherical	Green Aluminum Bar	NO	FC-01	FC-01	
	6L	MTS	4 1/4"					Specified in the same way as Inlet type and size				3 0.26" (6.6 mm)
	S4	TB	6 3/8" or 6 mm	C	Red Aluminum Bar	Gasket Seal						
	4L	MTB	8 1/2" or 8 mm				J		Blue Aluminum Bar	Welded Seal		
	B	PS	10 10 mm	M	Stainless Steel Bar							
		PB	12 3/4" or 12 mm	O	Black nylon Knob	Only applicable to valves with orifice size of 0.16" (4.1mm)						
		FL	14 14 mm or M14	T	Toggle handle	Only applicable to valves with orifice size of 0.16" (4.1mm), PCTFE conical tip and max. working pressure up to 100 psig (6.9 bar).						
		ML	16 1" or 16 mm	LC Normally Closed Pneumatic Actuator	LO Normally Open Pneumatic Actuator							
		UFB	18 18 mm									
		UMB	20 20 mm									
		FFR	Female FR Fitting									
		FR	Male FR Fitting									

Note: "Ordering Number Description" is a reference to understand the combination rules of FITOK product part number. Not all combinations are available.

1. **Cleaning and Packaging:**
 FC-01: Standard cleaning and packaging for general industrial procedures.
 FC-02: Special cleaning and packaging for wetted system components to ensure compliance with product cleanliness requirement of ASTM G93 Level C.



正規販売代理店
株式会社ナイフェスト

TEL : 050-5213-1839
watabe@nafest.co.jp
<https://www.nafest.co.jp>